

Specification
for
Optical Fiber Cable
Assemblies
for CC-Link IE Controller network

Type QG-G50-2C-□M-BU

**MITSUBISHI ELECTRIC
SYSTEM & SERVICE CO.,LTD.**

Note

Revision				Drawn	Check	Design	Approved
A	6 Jul., 2022			<i>N.Ishii</i>	<i>S.Kariya</i>	<i>M.Edatsugi</i>	<i>D.Fukushima</i>
B	6 Feb., 2023						
Send to				Date		Dwg	
				11 Sep., 2020		X903703D50059-H01B	
				Order			

1. SCOPE

This specification covers the requirements for the optical cable assemblies type QG-BU for CC-Link IE.

※ The Products covered in this specification don't include the toxic substances in RoHS2.

※ UL's Wiring Harnesses Traceability program provides traceability for this cable.

2. USE ENVIRONMENT

The cable shall be used in following conditions.

- ① Indoor pipe ^{※1}
- ② Rack
- ③ Duct
- ④ Free access
- ⑤ Control box ^{※2}

^{※1} Available for optical fiber dedicated route.

^{※2} Allowed if bending radius and storage space allow.

3. LENGTH OF CABLE

The maximum length of the cable is one kilometer.

(The maximum length of the cable with connector is 550 meters.)

4. CABLE TYPE

■For with connector

QG - G50 - 2C - □M - BU - ○
 (1) (2) (3) (4) (5) (6)

■For cable only

QG - G50 - 2C - BU □m
 (1) (2) (3) (5) (4)

(1) Cable series name	Optical cable for CC-Link IE
(2) Type of optical fiber cord	G50:Core diameter 50 μ m GI optical fiber
(3) Number of Optical Fiber	2C: Duplex cord
(4) Length of cable	□ : 1~1000 (Cable only) 1~550 (With connector)
(5) Cable type	Indoor, UL standard
(6) Applicable connector	LL: LC duplex connectors on both sides LS: LC duplex connector on one side - SC connector on one side LF: LC duplex connector on one side - FC connector on one side LN: LC duplex connector on one side - no connector on one side ※3 SS: SC connectors on both sides FF: FC connectors on both sides SF: SC connector on one side - FC connector on one side

※3 : After processing the connectors on both ends, the loss is measured and the connector on one end is cut.

5. CONFORMING STANDARD

UL 1651(UL TYPE OFNR) (Cable)

6. CORD CONSTRUCTION

The construction of the optical fiber cord shall be in accordance with Table 1.

Table 1. Cord construction

No.	Item	Construction			
①	Type	GI optical fiber (multi mode)			
	Conforming Standard	IEC60793-2-10 A1a.1			
	Core	Materials	Silica Glass		
		Diameter	50±3 μm		
	Cladding	Materials	Silica Glass		
		Diameter	125±2 μm		
	Protective Coating	Materials	Heat Proof PVC		
		Diameter	0.9±0.1mm		
	Identification	See Fig.1			
	Sheath	Materials	PVC (Orange)		
		Diameter	1.8±0.2mm × 2		
			Min	Max	Unit
	Maximum Tensile Load	—	60	N	By careless handling (short term)
	Minimum Radius Bend	15	—	mm	After careless handling

7. OPTICAL CHARACTERISTICS

The optical characteristics is listed in Table 2.

Table 2. Optical characteristics

Items	Construction
Attenuation	3.0dB/km or under [λ=850nm]
	1.0dB/km or under [λ=1300nm]
Bandwidth	500MHz · km or over [λ=850nm]
	500MHz · km or over [λ=1300nm]

8. OPTICAL CONNECTOR CONSTRUCTION

Table 3. Optical connector construction

Item	Specification		
Product name	LC duplex connector	SC connector	FC connector
Type of optical connector	DLCF-G50-D2	DSC-G50-D2	DFC-G50-D2
Standard	IEC61754-20	IEC61754-4	IEC61754-13
Connection loss (in respect to master fiber)	0.3dB or less		
Polishing method of connector	PC polish		
Operating Temperature	-40~+85°C		
Connection method	Cross connection (Connect the A side connector on one end to the B side connector on the other side) ※4		

※4 For LC duplex connectors on both sides.

9. CABLE CONSTRUCTION

The construction of the optical fiber cable shall be in accordance with Table 4.

Table 4. Cable construction

No.	Item	Construction			
①	Type of optical fiber cord	See Table 1.			
②	Strength Member	Aramid fiber			
③	Tape	Plastic			
④	Sheath	Heat Proof PVC (Blue)			
	Cable Diameter	5.0mm			
	Approximate Net Weight	20 kg/km			
		Min	Max	Unit	Conditions
	Operating Temperature	-20	60	°C	—
	Maximum Tensile Load	—	420	N	By careless handling (short term)
	Minimum Radius Bend	60	—	mm	After careless handling
	Crush Resistance	—	735	N/50mm	By careless handling (short term)

10. MARKING

The optical cable shall be printed following marking format on the one side of sheath by regular interval.

- Marking content : CC-Link IE Control OPTICAL FIBER CABLE QG-G50-2C-BU ***** E154491 TYPE OFNR(UL)
- Marking pitch : 1000mm
- Marking color : Black

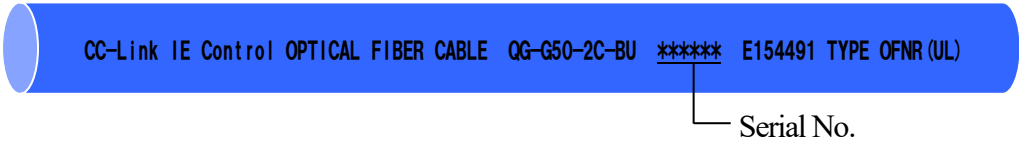


Fig.1 Marking of Optical Fiber Cord

※ Please acknowledge it though the print display might rub when transporting, and careless handling it and it disappear.

11. CONSTRUCTION FIGURE

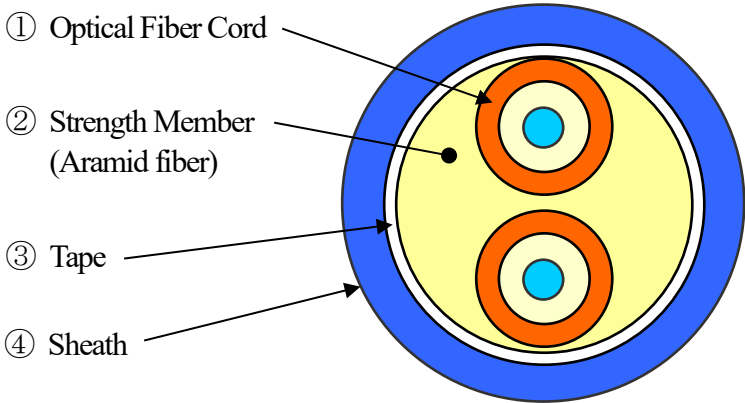
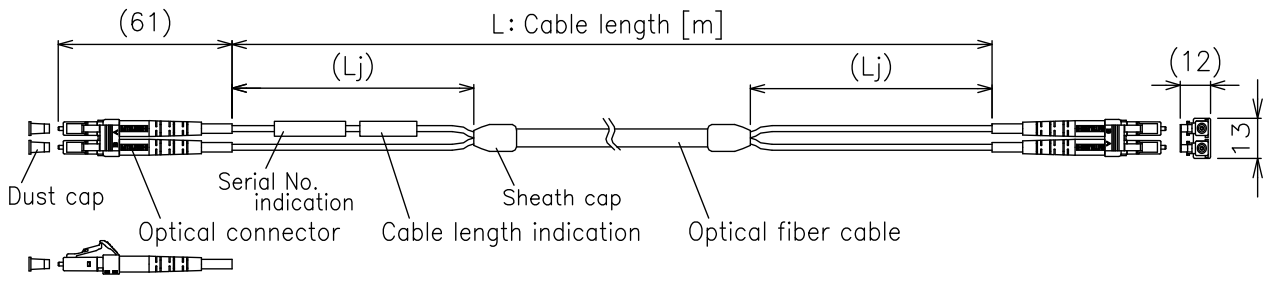


Fig.2 Construction of Optical Fiber Cable

12. CONFIGURATION

[LCF connectors on both sides]

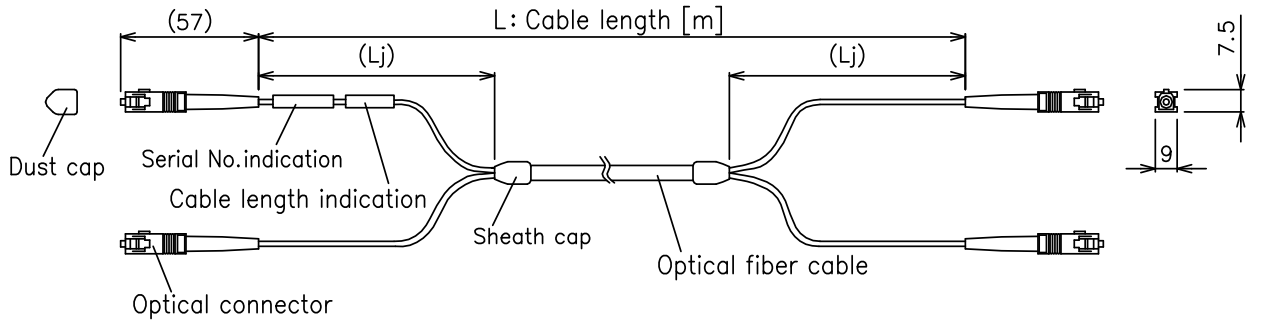


[mm]

Length of removing sheath
 In case $L=1m$, $Lj=150[mm]$
 In case $L \geq 2m$, $Lj=300[mm]$

Fig 3. Configuration of Optical Fiber Cable

[SC connectors on both sides]

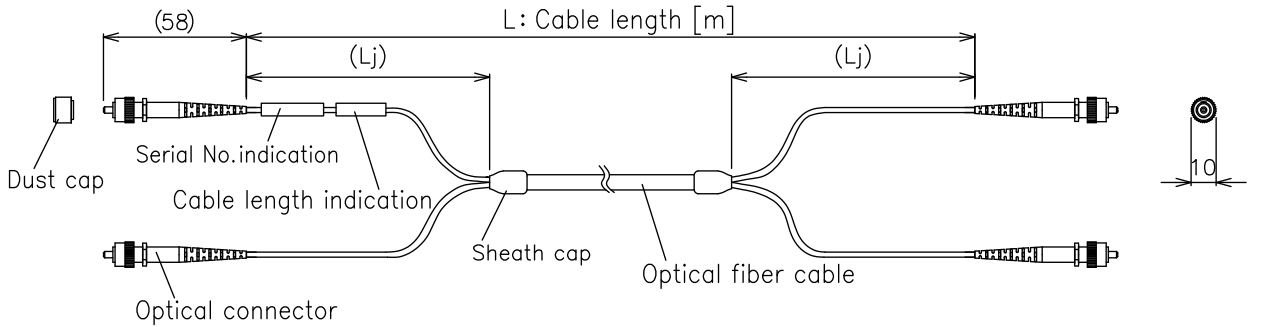


[mm]

Length of removing sheath
 In case $L=1m$, $Lj=150[mm]$
 In case $L \geq 2m$, $Lj=300[mm]$

Fig 4. Configuration of Optical Fiber Cable

[FC connectors on both sides]



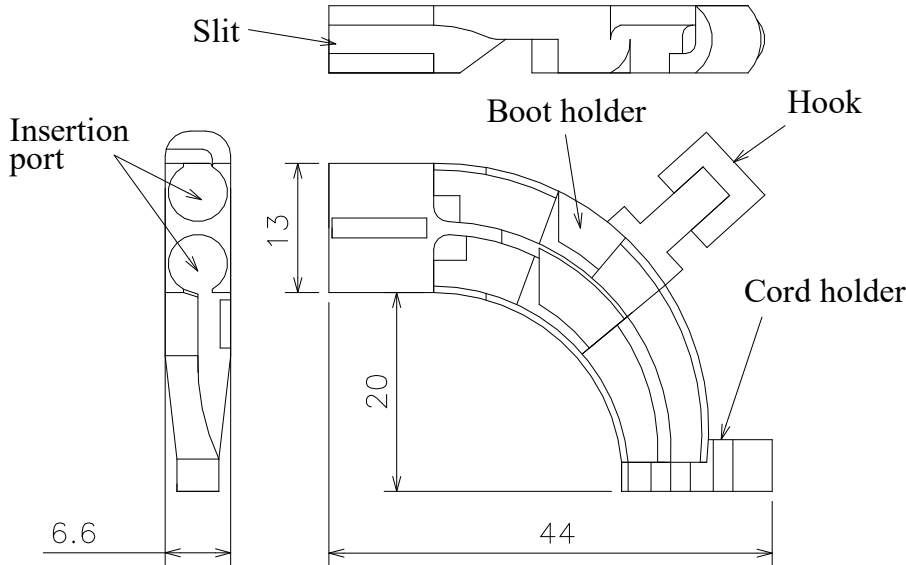
[mm]

Length of removing sheath
 In case $L=1m$, $Lj=150[mm]$
 In case $L \geq 2m$, $Lj=300[mm]$

Fig 5. Configuration of Optical Fiber Cable

13. OTHERS

Protective holder



Item	Specification
Applicable optical fiber cable	QG Series
Applicable connector	LC duplex connector (DLCF-G50-D2)
Materials	PC (Black)
Operating Temperature	-20~+60°C

Note) Never mount this product onto connector other than the Mitsubishi connector or use a damaged protective holder. Failure to observe this could result in damage or increased losses.