

Specification  
for  
General purpose AC Servo  
Electromagnetic brake cable

Type SC-BKS4JCBL  M- -L

MITSUBISHI ELECTRIC  
SYSTEM & SERVICE CO.,LTD

Note

Revision								Drawn	Check	Design	Approved
								<i>N. Ishii</i>	<i>S. Koriya</i>	<i>M. Awamura</i>	<i>S. Suburina</i>
Send to								Date		Dwg	
								26 Apr.,2016		X903703D50052-G08	
								Order			

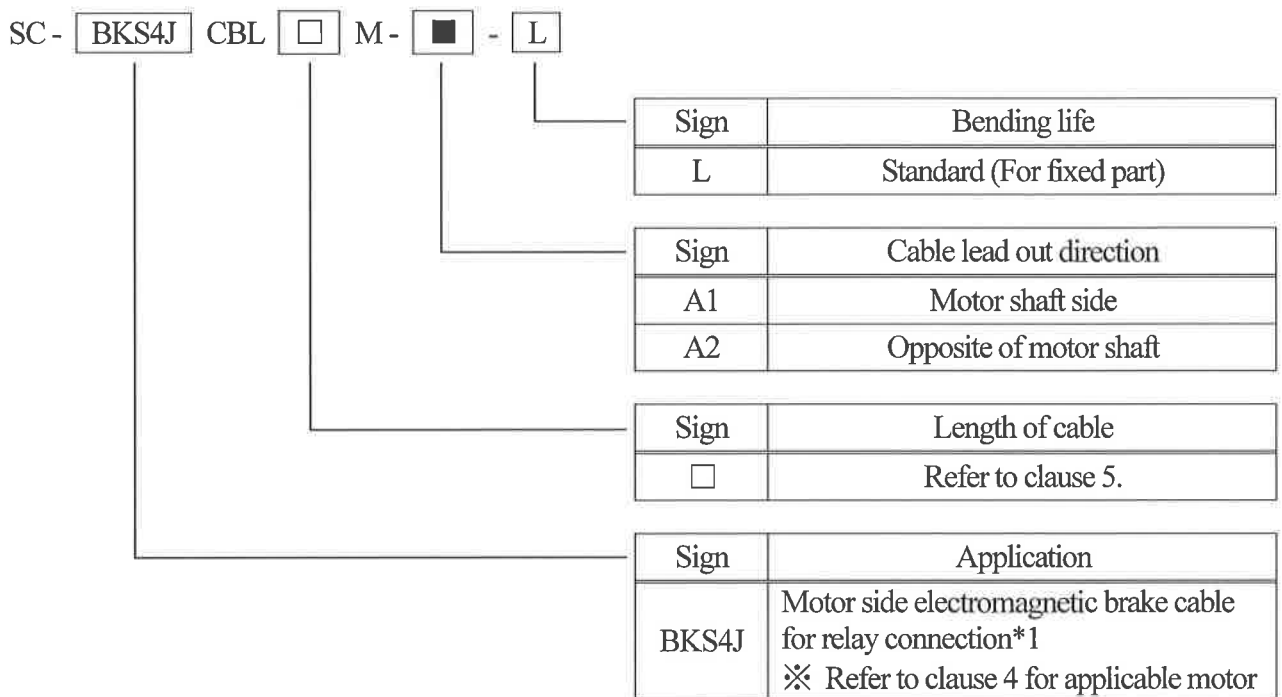
## 1. SCOPE

This specification covers the requirements for the General purpose AC Servo Electromagnetic brake cable type SC-BKS4JCBL□M-■-L.

※ The Products covered in this specification don't include the toxic substances in RoHS (Lead, Mercury, Cadmium, Hexavalent Chromium, PBDE, PBB).

※ UL's Wiring Harnesses Traceability program provides traceability for this cable.

## 2. CABLE TYPE



\*1 Please use it with power supply side electromagnetic brake cable.  
Refer to clause 6 for confirming the combination and cable length.

(Note) This cable doesn't have clamps for fixture. Please use cable ties or alternatives which can fix cable part; otherwise it might put too much stress on cables and cause disconnection.

## 3. APPLICABLE STANDARDS

UL13 PLCC CL3 (wire part)

## 4. APPLICABLE SERVO MOTOR

HG-KR, HG-MR series motor  
HF-KN, HF-KP, HF-MP series motor

## 5. LENGTH OF CABLE

1 to 10m Specified by 1m unit

## 6. CABLE LENGTH FOR RELAY CONNECTION

Combination		Total cable length
Power supply side	Motor side	
SC-BKS4CBL□M-LL SC-BKS4CBL□M-LH	SC-BKS4JCBL□M-■-L	10m or less 50m or less

## 7. EXAMPLE OF PRINTING CABLE TYPE NAME

SC-BKS4JCBL□M-■-L ×××××××

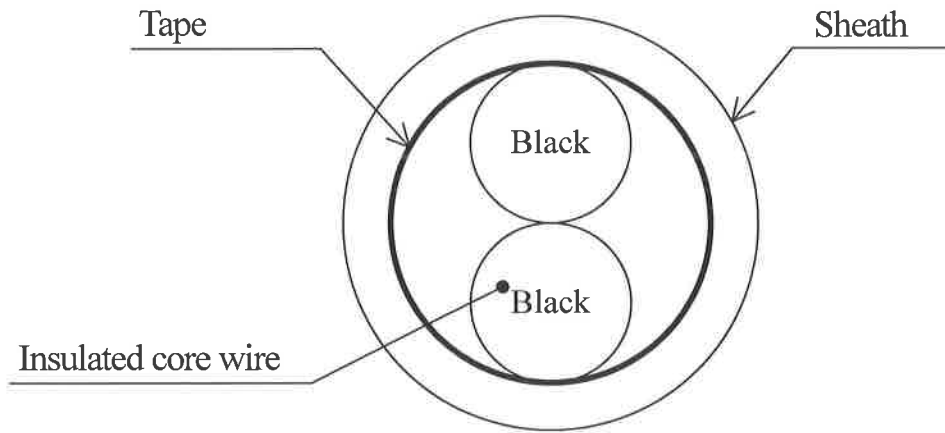
- ※ □ is a figure from 1 to 10.
- ※ ■ is cable lead out direction from A1, A2.
- ※ ××××××× are the serial number for seven digits.

## 8. STRUCTURE AND CHARACTERISTICS

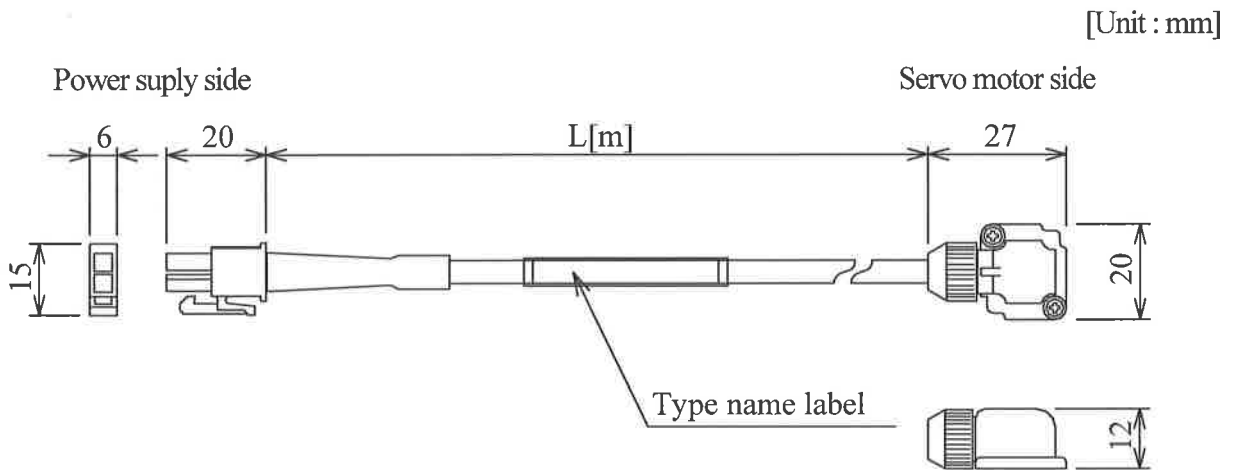
Item		Unit	Specification
Structure		—	AWG20×2C
Conductor	Conductor size	—	AWG20
	Outer diameter	mm	Approx. 0.95
Insulation	Material	—	ETFE
	Outer diameter	mm	Approx. 1.35
Stranding	Number of insulation core wire	—	2C
Sheath	Material	—	Flame resisting PVC
	Color	—	Black
Overall diameter		mm	Approx. 4.7
Electrical characteristics	Insulation resistance	MΩ · km	Over 100
	Withstand voltage	V for 1 minute	AC500
Operating temperature range		°C	-10 to +60 (without condensation)
Minimum Bend Radius		mm	Over 30
Flame Retardant		—	UL1581 VW-1
Connector	Power side	Type	Molex 5557-02R-210 (Receptacle housing)
		IP rating	IP20*1
	Motor side	Type	Japan Aviation Electronics Industry, Limited JN4FT02SJ1-R (Angle plug)
		IP rating	IP67*1

\*1 The IP rating indicated is for the connector's protection against ingress of dust and water when coupled to a servo amplifier/servo motor. If the IP rating of the servo amplifier/servo motor differs from that of these connectors, overall IP rating depends on the lowest of all.

### 9. STRUCTURAL DRAWING



### 10. OUTLINE DRAWING



### 11. SYSTEM CONFIGURATION DIAGRAM

