

Specification
for
General purpose AC Servo/
Sensor less servo
Power supply cable

Type SC-PWS1CBL□M-■-L

MITSUBISHI ELECTRIC
SYSTEM & SERVICE CO.,LTD

Note

Revision				Drawn	Check	Design	Approved
A	7 Jun.,2018			<i>N. Ito</i>	<i>S. Kariya</i>	<i>S. Minenaga</i>	<i>D. Kubota</i>
B	22 Aug.,2019						
Send to				Date		Dwg	
				27 Apr.,2016		X903703D50052-F04B	
				Order			

1. SCOPE

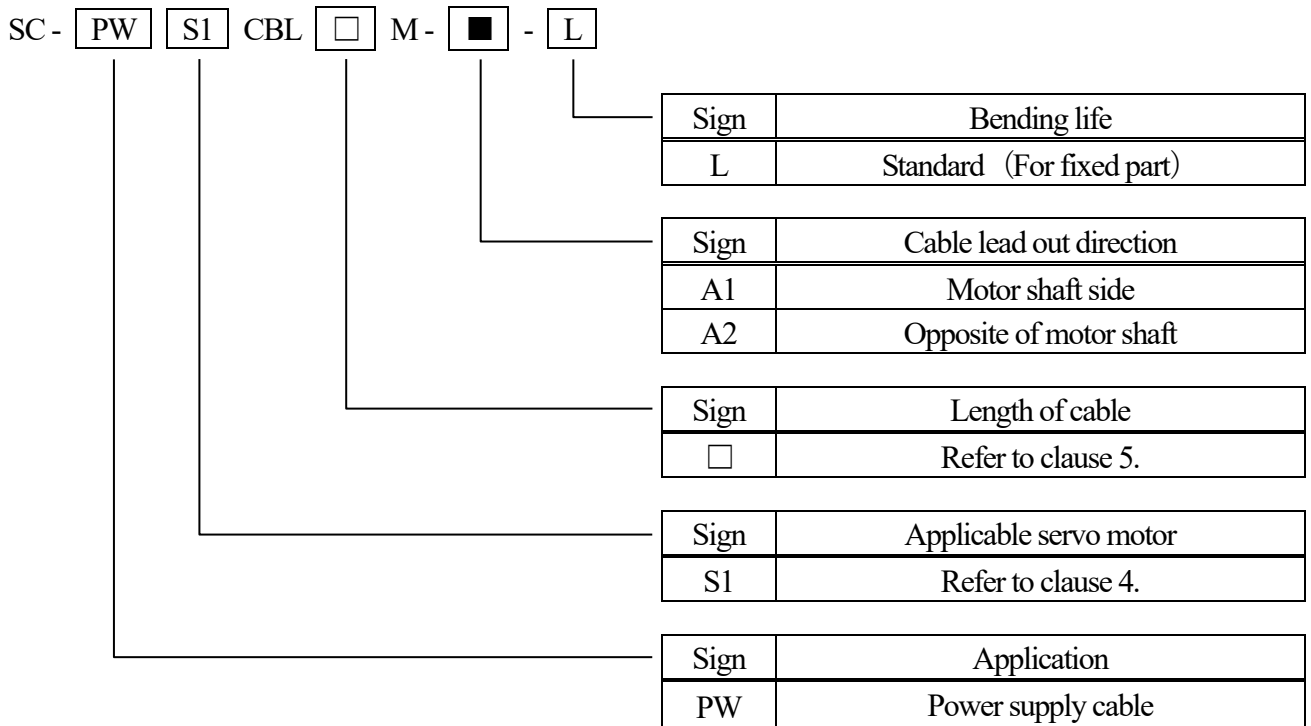
This specification covers the requirements for the General purpose AC Servo / Sensor less servo Power supply cable.

- SC-PWS1CBL□M-■-L

※ The Products covered in this specification don't include the toxic substances in RoHS (Lead, Mercury, Cadmium, Hexavalent Chromium, PBDE, PBB).

※ UL's Wiring Harnesses Traceability program provides traceability for this cable.

2. CABLE TYPE



3. APPLICABLE STANDARDS

Wire part : UL standard (UL 758 : AWM / UL13 PLCC CL3)

UL Style No.	Rated	
2517	105°C	300V

4. APPLICABLE SERVO MOTOR

Refer to MR-J4 APPLICABLE SERVO MOTOR TABLE "R9037020-010022-105".

5. LENGTH OF CABLE

1 to 10m Specified by 1m unit

6. EXAMPLE OF PRINTING CABLE TYPE NAME

SC-PWS1CBL□M-■-L ×××××××

※ □ is a figure from 1 to 10.

※ ■ is cable lead out direction from A1, A2.

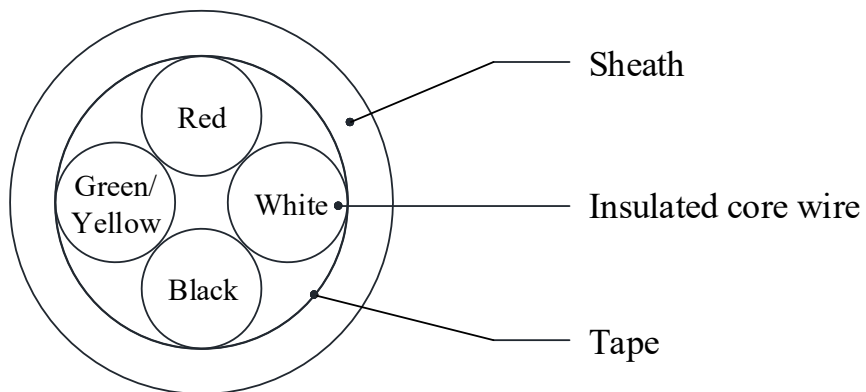
※ ××××××× are the serial number for seven digits.

7. STRUCTURE AND CHARACTERISTICS

Item		Unit	Specification
Structure		—	AWG18×4C
Conductor	Conductor size	—	AWG18
	Outer diameter	mm	Approx. 1.21
Insulation	Material	—	ETFE
	Outer diameter	mm	Approx. 1.71
Twisted pair	Number of insulated core wire	—	4C
Sheath	Material	—	Flame resisting PVC
	color	—	Black
Overall diameter		mm	Approx. 6.2
Electrical characteristics	Insulation resistance	MΩ · km	Over 100
	Withstand voltage	V/for 1min	AC1500
Operating temperature range		°C	-10~+60 (without condensation)
Minimum Bend Radius		mm	6 times the overall diameter
Flame Retardant		—	UL1581 VW-1
Connector	Servo amplifier side/ Drive unit side		—
	Servo motor side	Type	Japan Aviation Electronics Industry, Limited KN4FT04SJ1-R (Angle plug)
		IP rating	IP65*1

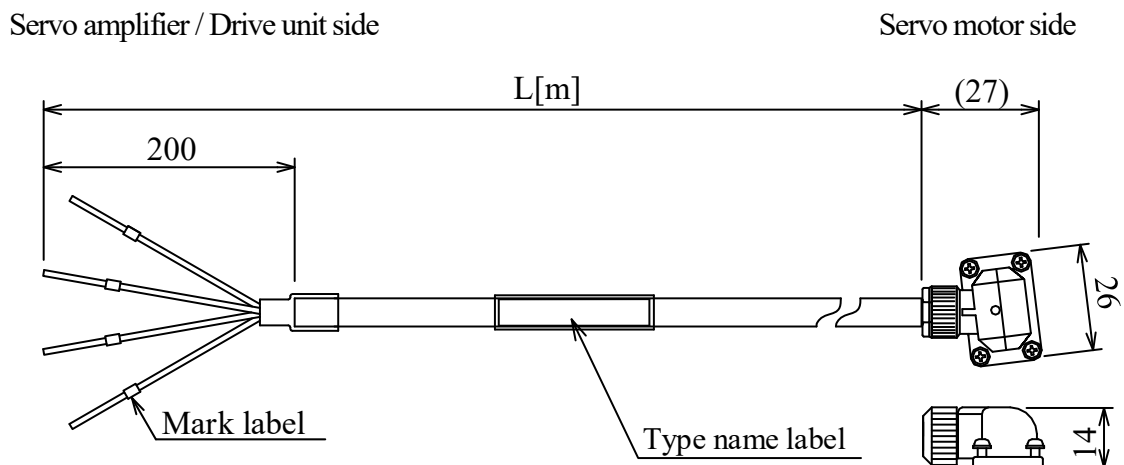
*1 The IP rating indicated is for the connector's protection against ingress of dust and water when coupled to a servo amplifier/servo motor. If the IP rating of the servo amplifier/servo motor differs from that of these connectors, overall IP rating depends on the lowest of all.

8. STRUCTURAL DRAWING



9. OUTLINE DRAWING

[Unit : mm]



Refer to the following table for mark label and insulation color.

Mark label	Insulation color
U	Red
V	White
W	Black
E	Green / Yellow