

Specification
for
General purpose AC Servo
Power supply cable

Type SC-PWC2CBL□M-OL

mitsubishi electric
system & service co.,ltd

Note

Revision				Drawn	Check	Design	Approved
A	31 Mar.,2017			<i>N. Ishii</i>	<i>S. Koizumi</i>	<i>M. Okamura</i>	<i>D. Takashima</i>
B	4 Jun.,2018						
Send to				Date		Dwg	
				27 Apr.,2016		X903703D50052-F08B	
				Order			

1. SCOPE

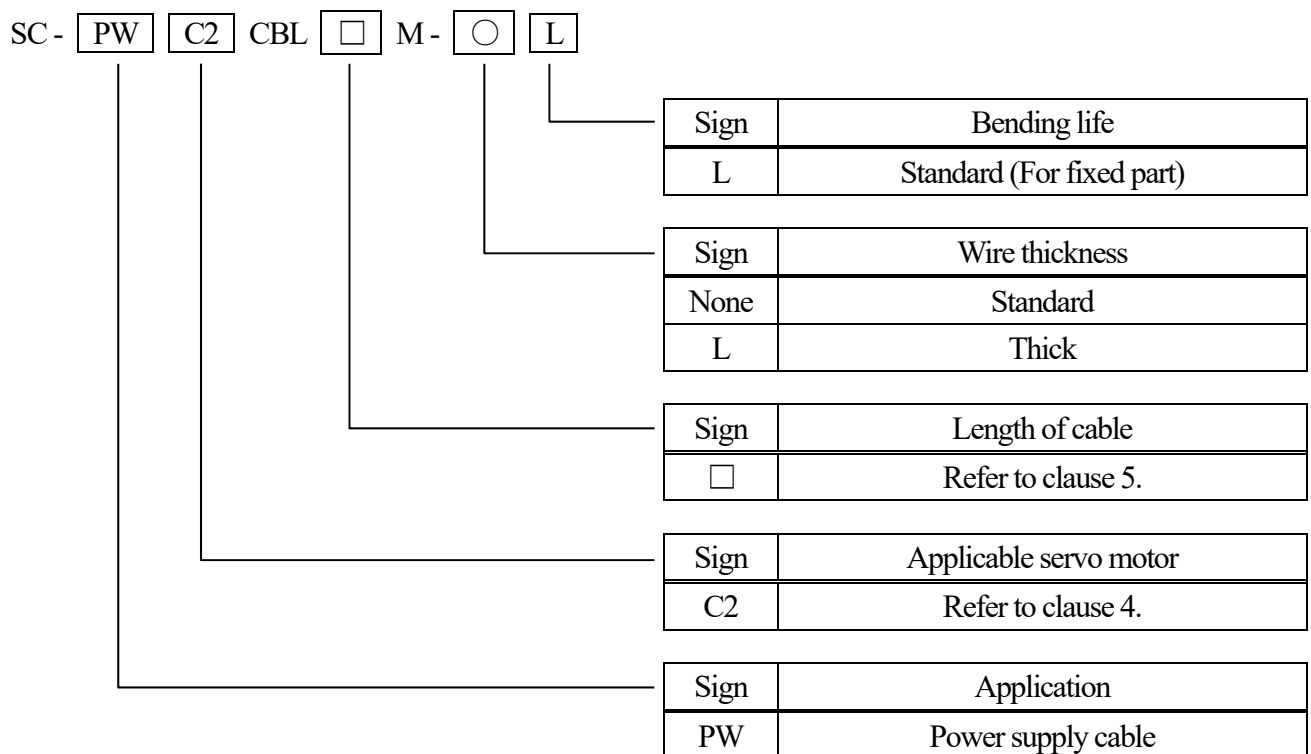
This specification covers the requirements for the General purpose AC Servo Power supply cable.

- SC-PWC2CBL□M-L
- SC-PWC2CBL□M-LL

※ The Products covered in this specification don't include the toxic substances in RoHS (Lead, Mercury, Cadmium, Hexavalent Chromium, PBDE, PBB).

※ UL's Wiring Harnesses Traceability program provides traceability for this cable.

2. CABLE TYPE



3. APPLICABLE STANDARDS

The end of type name

- ① L :UL758 AWM STYLE 2501 (wire part)
- ② LL :UL758 AWM STYLE 2586 (wire part)

4. APPLICABLE SERVO MOTOR

The end of type name

① L

HG-UR202 motor

HC-LP202, HC-UP202 motor

② LL

HG-RR353, 503, HG-UR352, 502 motor

HA-LP502, HC-LP302, HC-RP353, 503, HC-UP352, 502 motor

5. LENGTH OF CABLE

1 to 30m Specified by 1m unit

6. EXAMPLE OF PRINTING CABLE TYPE NAME

SC-PWC2CBL□M-○L ×××××××

※ □ is a figure from 1 to 30.

※ ○ is wire thickness from none, L.

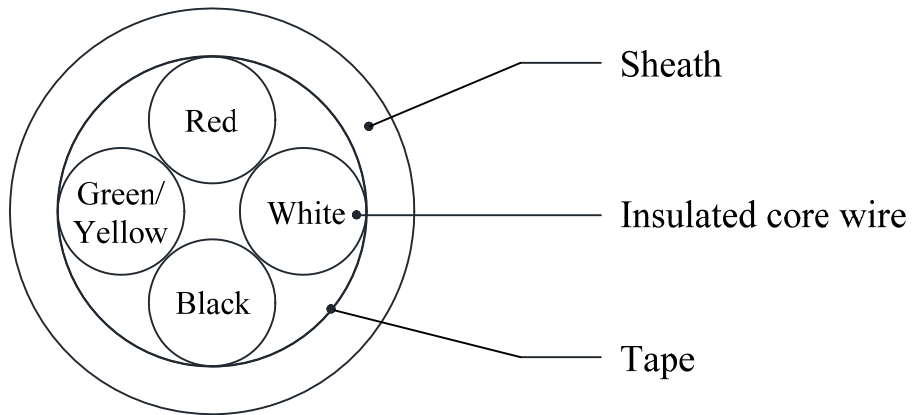
※ ××××××× are the serial number for seven digits.

7. STRUCTURE AND CHARACTERISTICS

Item		Unit	Specification	
			L	LL
Structure		—	AWG12×4C	AWG10×4C
Conductor	Conductor size	—	AWG12	AWG10
	Outer diameter	mm	Approx. 2.48	Approx. 3.09
Insulation	Material	—	PVC	
	Outer diameter	mm	Approx. 4.18	Approx. 4.79
Twisted pair	Number of insulated core wire	—	4C	
Sheath	Material	—	Flame resisting PVC	
	Color	—	Black	
Overall diameter		mm	Approx. 13.6	Approx. 13.7
Electrical characteristics	Insulation resistance	MΩ · km	Over 10	
	Withstand voltage	V for 1 minute	AC2000	
Operating temperature range		°C	-10~+60 (without condensation)	
Minimum bend radius		mm	6 times the overall diameter	
Flame retardant		—	UL1581 VW-1	
Connector	Servo amplifier side		—	
	Servo motor side	Type	DDK Ltd. CE05-6A24-10SD-D-BSS (Straight plug) CE3057-16A-2-D (Waterproof cable clamp)	
		IP rating	IP67 ^{*1}	

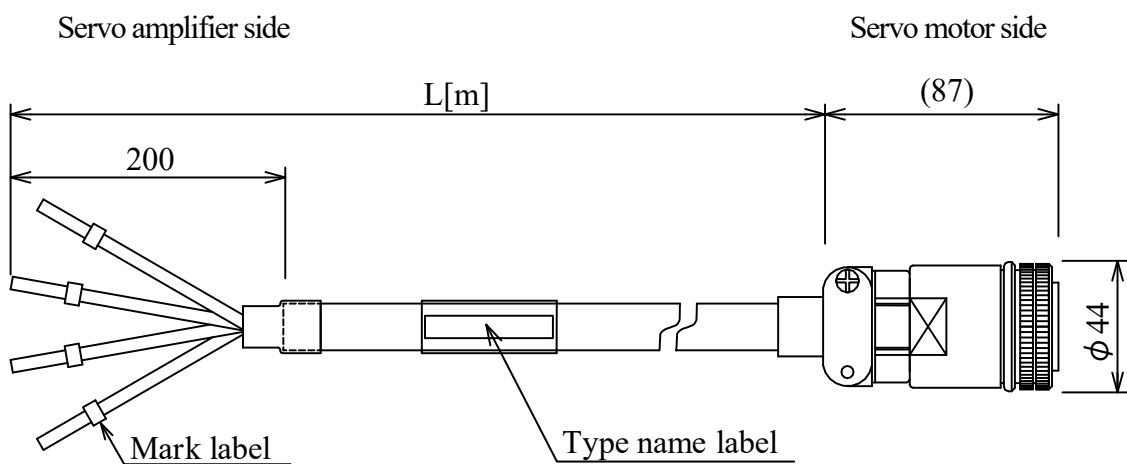
*1 The IP rating indicated is for the connector's protection against ingress of dust and water when coupled to a servo amplifier/servo motor. If the IP rating of the servo amplifier/servo motor differs from that of these connectors, overall IP rating depends on the lowest of all.

8. STRUCTURAL DRAWING



9. OUTLINE DRAWING

[Unit : mm]



Refer to the following table for mark label and insulation color.

Mark label	Insulation color
U	Red
V	White
W	Black
E	Green / Yellow