

1. SCOPE

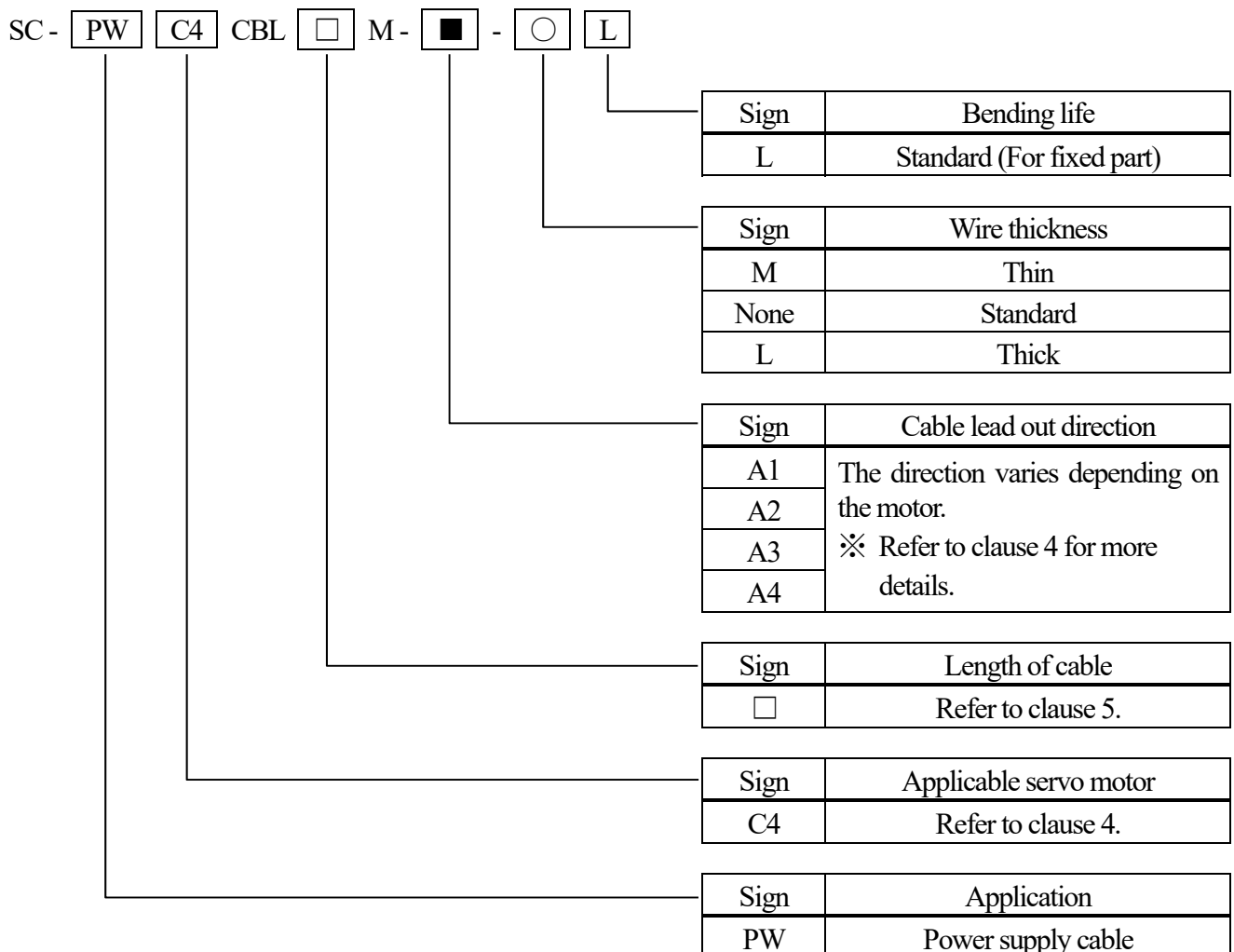
This specification covers the requirements for the General purpose AC Servo Power supply cable.

- SC-PWC4CBL□M-■-ML
- SC-PWC4CBL□M-■-L
- SC-PWC4CBL□M-■-LL

※ The Products covered in this specification don't include the toxic substances in RoHS (Lead, Mercury, Cadmium, Hexavalent Chromium, PBDE, PBB).

※ UL's Wiring Harnesses Traceability program provides traceability for this cable.

2. CABLE TYPE

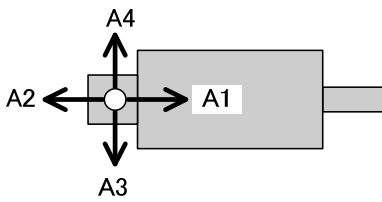
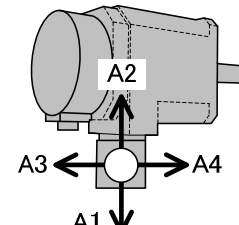


3. APPLICABLE STANDARDS

The end of type name

- ① ML :UL758 AWM STYLE 2586 (wire part)
- ② L :UL758 AWM STYLE 2501 (wire part)
- ③ LL :UL758 AWM STYLE 2501 (wire part)

4. APPLICABLE SERVO MOTOR

The end of type name	Applicable servo motor	Cable lead out direction (View from cable insertion direction)
ML	HG-SR51, 52, 81, 102, 524, 1024 motor HF-SP51, 52, 81, 102, 524, 1024 motor	
L	HG-SR152, 1524 motor HF-SP152, 1524 motor	
ML	HG-JR53, 73, 103, 534, 734, 1034 motor HF-JP53, 73, 103, 534, 734, 1034 motor	
L	HG-JR153, 203, 1534, 2034, 3534 motor HF-JP153, 203, 1534, 2034, 3534 motor	
LL	HG-JR5034 motor HF-JP5034 motor	

(Note) Depending on the situation such as installation environment or combination of cables and connectors, there is a chance not to complete installation. (Even though it's mentioned above) Please make sure the cable lead out direction before your purchase.

5. LENGTH OF CABLE

1 to 30m Specified by 1m unit

6. EXAMPLE OF PRINTING CABLE TYPE NAME

SC-PWC4CBL□M-■-○L ×××××××

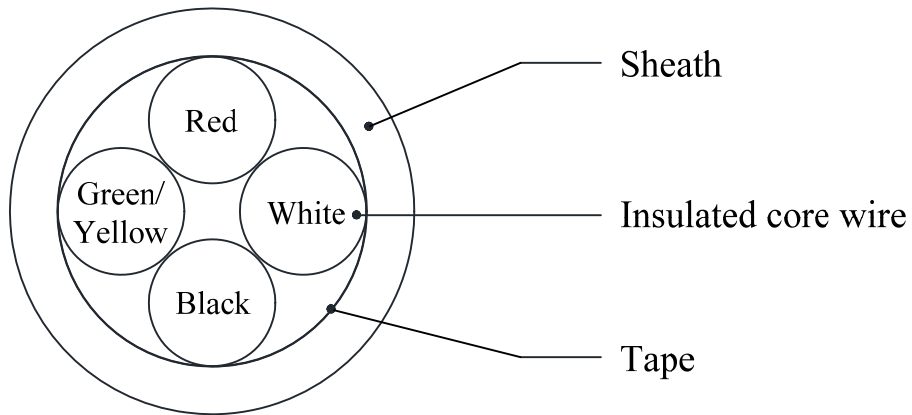
- ※ □ is a figure from 1 to 30.
- ※ ■ is cable lead out direction from A1, A2, A3, A4.
- ※ ○ is wire thickness from M, none, L.
- ※ ××××××× are the serial number for seven digits.

7. STRUCTURE AND CHARACTERISTICS

Item		Unit	Specification		
			ML	L	LL
Structure		—	AWG16×4C	AWG14×4C	AWG12×4C
Conductor	Conductor size	—	AWG16	AWG14	AWG12
	Outer diameter	mm	Approx. 1.53	Approx. 1.92	Approx. 2.48
Insulation	Material	—	PVC		
	Outer diameter	mm	Approx. 3.23	Approx. 3.62	Approx. 4.18
Stranding	Number of insulation core wire	—	4C		
Sheath	Material	—	Flame resisting PVC		
	Color	—	Black		
Overall diameter		mm	Approx. 9.9	Approx. 12.2	Approx. 13.6
Electrical characteristics	Insulation resistance	MΩ · km	Over 10		
	Withstand voltage	V for 1minute	AC2000		
Operating temperature range		°C	-10~+60 (without condensation)		
Minimum bend radius		mm	6 times the overall diameter		
Flame retardant		—	UL1581 VW-1		
Connector	Servo amplifier side		—		
	Servo motor side	Type	ML: DDK Ltd. CE05-8A18-10SD-D-BAS (Angle plug) CE3057-10A-2-D (Waterproof cable clamp)		
			L, LL: DDK Ltd. CE05-8A18-10SD-D-BAS (Angle plug) CE3057-10A-1-D (Waterproof cable clamp)		
	IP rating	IP67*1			

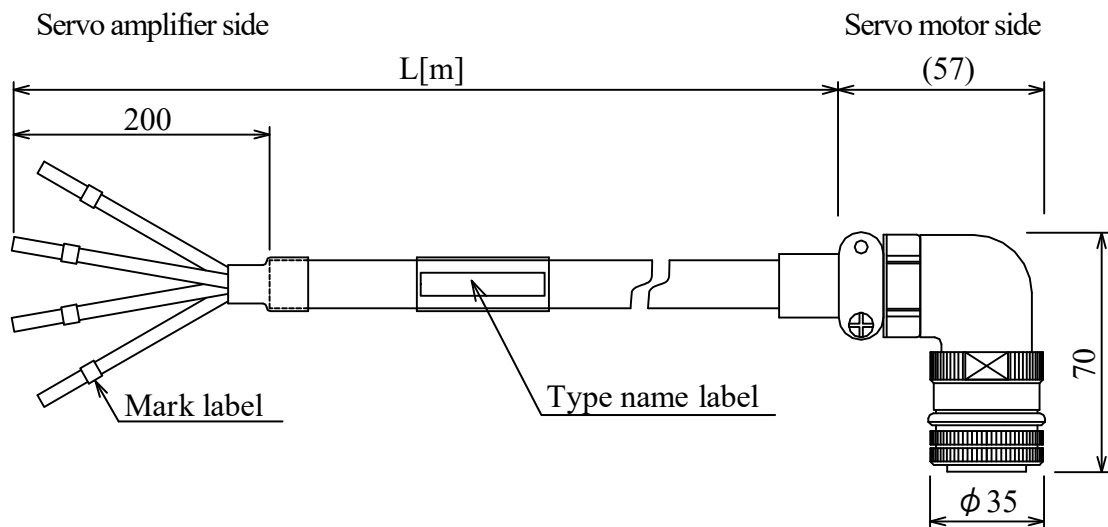
*1 The IP rating indicated is for the connector's protection against ingress of dust and water when coupled to a servo amplifier/servo motor. If the IP rating of the servo amplifier/servo motor differs from that of these connectors, overall IP rating depends on the lowest of all.

8. STRUCTURAL DRAWING



9. OUTLINE DRAWING

[Unit : mm]



Refer to the following table for mark label and insulation color.

Mark label	Insulation color
U	Red
V	White
W	Black
E	Green / Yellow