

Specification
 for
 General purpose AC Servo
 Long Bending Life Power supply cable

Type SC-PWS4JCBL□M-■-H

MITSUBISHI ELECTRIC
 SYSTEM & SERVICE CO.,LTD

Note

Revision				Drawn	Check	Design	Approved
				<i>N. Ishii</i>	<i>A. Kariya</i>	<i>M. Kuwamura</i>	<i>S. Kuboshima</i>
Send to				Date		Dwg	
				27 Apr.,2016		X903703D50052-F42	
				Order			

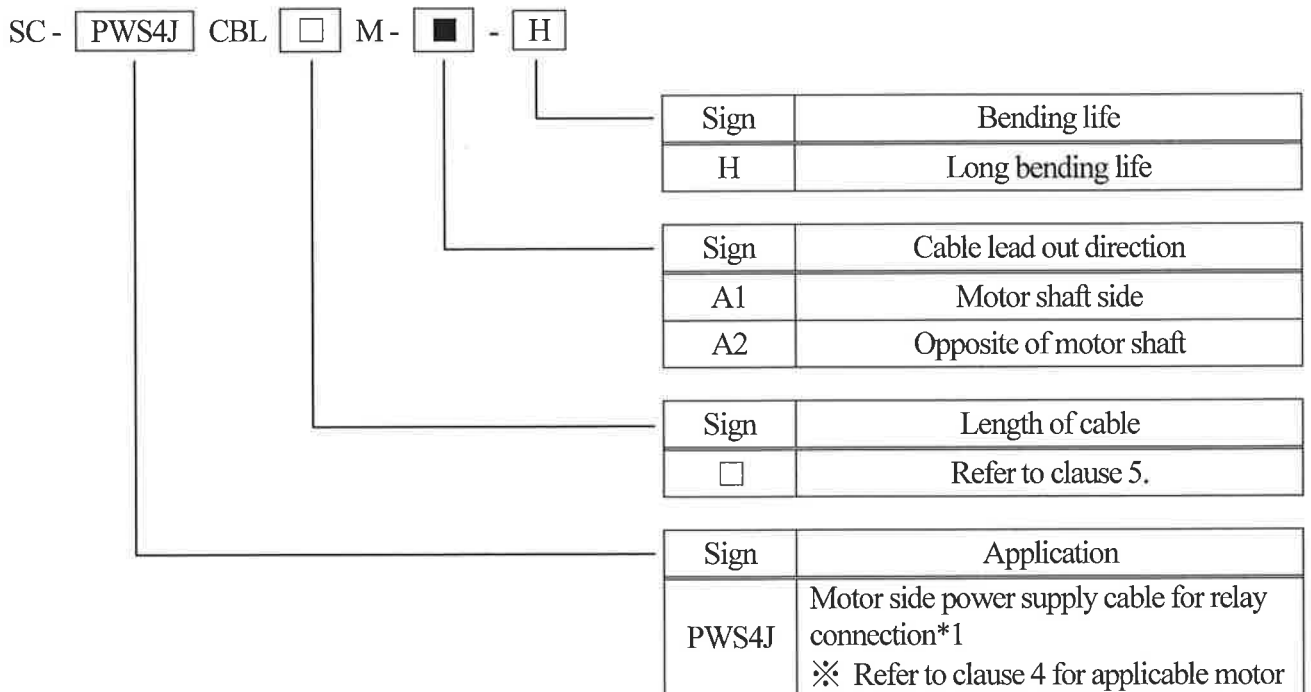
1. SCOPE

This specification covers the requirements for the General purpose AC Servo Long Bending Life Power supply cable type SC-PWS4JCBL□M-■-H.

※ The Products covered in this specification don't include the toxic substances in RoHS (Lead, Mercury, Cadmium, Hexavalent Chromium, PBDE, PBB).

※ UL's Wiring Harnesses Traceability program provides traceability for this cable.

2. CABLE TYPE



*1 Please use it with amplifier side power supply cable.
Refer to clause 6 for confirming the combination and cable length.

(Note) This cable doesn't have clamps for fixture. Please use cable ties or alternatives which can fix cable part; otherwise it might put too much stress on cables and cause disconnection.

3. APPLICABLE STANDARDS

UL13 PLCC CL3X (wire part)

4. APPLICABLE SERVO MOTOR

HG-KR, HG-MR series motor
HF-KN, HF-KP, HF-MP series motor

5. LENGTH OF CABLE

1 to 5m Specified by 1m unit

6. CABLE LENGTH FOR RELAY CONNECTION

Motor type name	Combination		Total cable length
	Amplifier side	Motor side	
HG-KR/MR 053,13,23,43 HF-KN/KP/MP 053,13,23,43	SC-PWS4CBL□M-LL SC-PWS4CBL□M-LH	SC-PWS4JCBL□M-■-H	50m or less
HG-KR73 HF-KP73	SC-PWS4CBL□M-LL SC-PWS4CBL□M-LH	SC-PWS4JCBL□M-■-H	5m or less 25m or less
HG-MR73 HF-MP73	SC-PWS4CBL□M-LL SC-PWS4CBL□M-LH	SC-PWS4JCBL□M-■-H	25m or less 20m or less

7. EXAMPLE OF PRINTING CABLE TYPE NAME

SC-PWS4JCBL□M-■-H ×××××××

- ※ □ is a figure from 1 to 5.
- ※ ■ is cable lead out direction from A1, A2.
- ※ ××××××× are the serial number for seven digits.

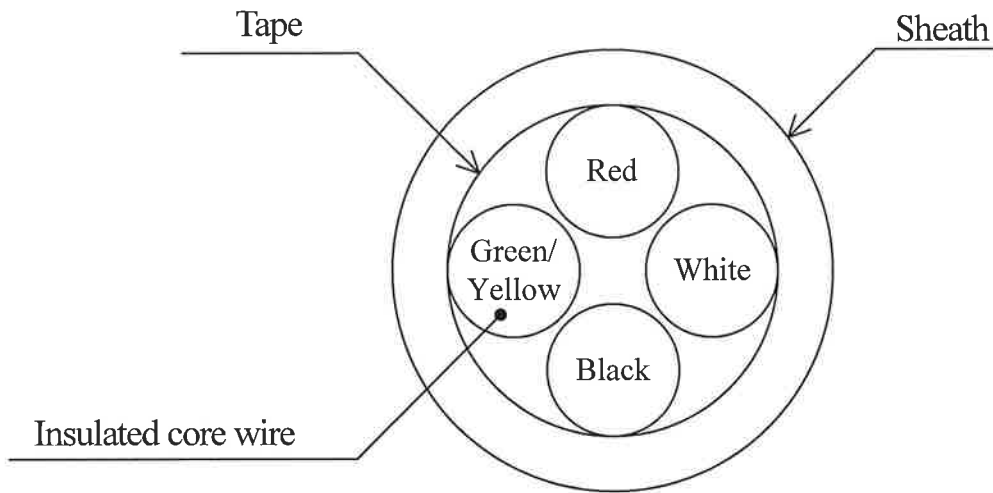
8. STRUCTURE AND CHARACTERISTICS

Item		Unit	Specification
Structure		—	AWG19×4C
Conductor	Conductor size	—	AWG19
	Outer diameter	mm	Approx. 1.24
Insulation	Material	—	ETFE
	Outer diameter	mm	Approx. 1.74
Twisted pair	Number of insulated core wire	—	4C
Sheath	Material	—	Flame resisting PVC
	color	—	Black
Overall diameter		mm	Approx. 6.0
Electrical characteristics	Insulation resistance	MΩ · km	Over 100
	Withstand voltage	V/for 1min	AC1500
Operating temperature range		°C	-10~+60 (without condensation)
Minimum Bend Radius		mm	Over 40
Bending life		—	Over 1 million times ^{*1} (bend radius: 40mm)
Flame Retardant		—	UL1581 VW-1
Connector	Servo amplifier side	Type	Molex 5557-04R-210 (Receptacle housing)
		IP rating	IP20 ^{*2}
	Servo motor side	Type	Japan Aviation Electronics Industry, Limited KN4FT04SJ1-R (Angle plug)
		IP rating	IP65 ^{*2}

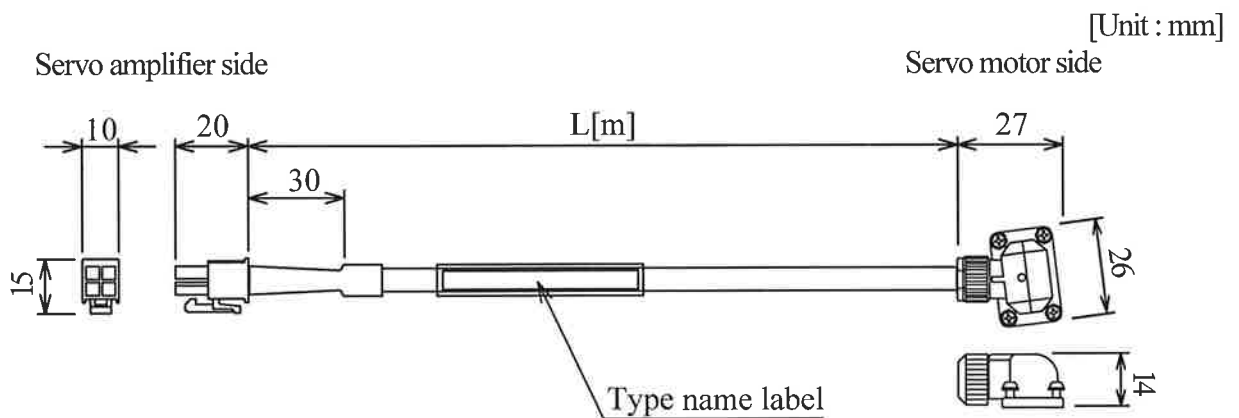
*1 It is a test outcome, and not a guaranteed value. (The performance is different according to customer's environment.)

*2 The IP rating indicated is for the connector's protection against ingress of dust and water when coupled to a servo amplifier/servo motor. If the IP rating of the servo amplifier/servo motor differs from that of these connectors, overall IP rating depends on the lowest of all.

9. STRUCTURAL DRAWING



10. OUTLINE DRAWING



11. SYSTEM CONFIGURATION DIAGRAM

