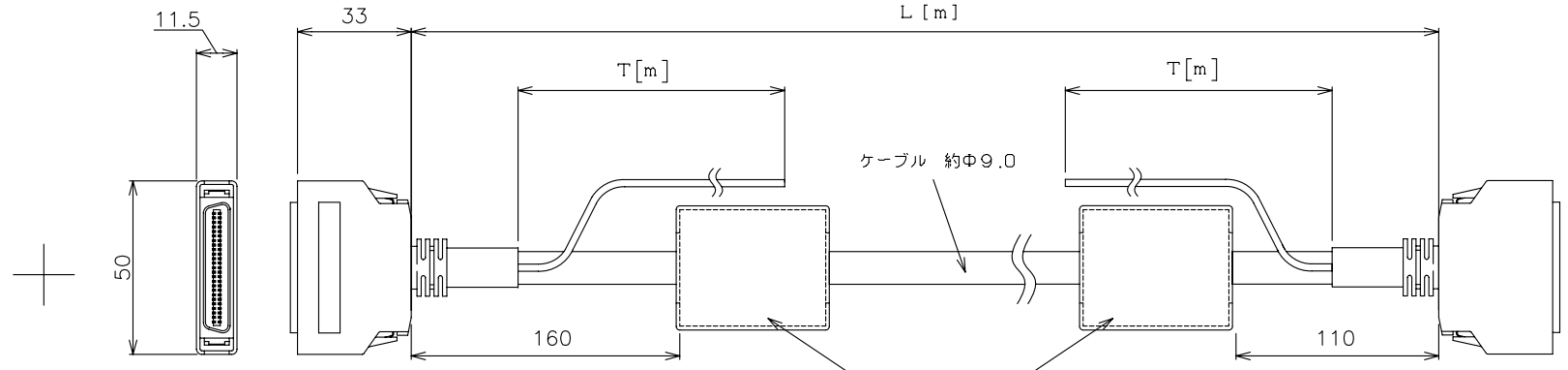


GT15-EXCNB



注) FG線のケーブル長T [m]
 $0.5 < L \leq 6.0$ [m] のとき $T = 0.5$ [m]
 $8 < L \leq 30$ [m] のとき $T = 1.0$ [m]

GT15-C□BS

単位 [mm]