

Specification
for
General purpose AC Servo
Long Bending Life
Electromagnetic brake cable

Type SC-BKCCBL□M-H

MITSUBISHI ELECTRIC
SYSTEM & SERVICE CO.,LTD

Note

Revision				Drawn	Check	Design	Approved
A	14 Apr.,2017			<i>N. Ishii</i>	<i>S. Konno</i>	<i>M. Awamura</i>	<i>J. Takashima</i>
B	8 Jun.,2018						
Send to				Date		Dwg	
				22Apr.,2016		X903703D50052-G15B	
				Order			

1. SCOPE

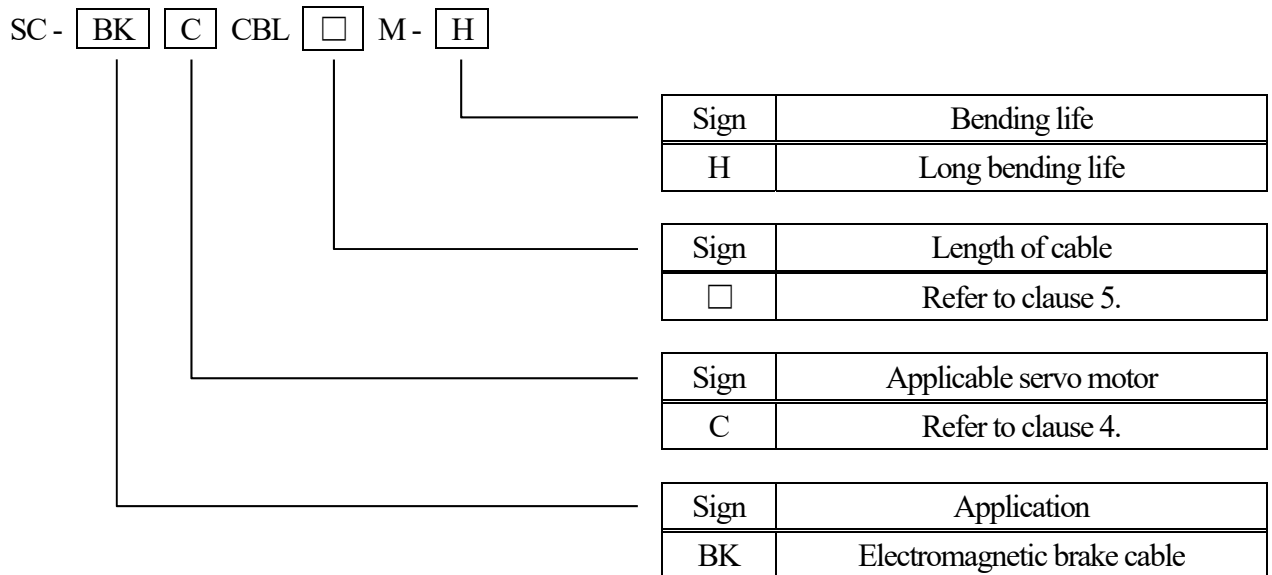
This specification covers the requirements for the General purpose AC Servo long bending life Electromagnetic brake cable.

- SC-BKCCBL□M-H

※ The Products covered in this specification don't include the toxic substances in RoHS (Lead, Mercury, Cadmium, Hexavalent Chromium, PBDE, PBB).

※ UL's Wiring Harnesses Traceability program provides traceability for this cable.

2. CABLE TYPE



3. APPLICABLE STANDARDS

UL758 AWM STYLE 2586 (wire part)

4. APPLICABLE SERVO MOTOR

HG-UR202B, 352B, 502B motor

HG-JR601B, 801B, 12K1B,701MB, 11K1MB, 15K1MB,

6014B, 8014B, 12K14B, 701M4B, 11K1M4B, 15K1M4B motor

HC-LP202B, 302B motor

HC-UP202B, 352B, 502B motor

HF-JP11K1MB, 15K1MB, 11K1M4B, 15K1M4B motor

HA-LP601B, 801B, 12K1B, 701MB, 11K1MB, 15K1MB, 11K2B, 15K2B, 22K2B

6014B, 8014B, 12K14B, 701M4B, 11K1M4B, 15K1M4B, 11K24B, 15K24B, 22K24B motor

5. LENGTH OF CABLE

1 to 30m Specified by 1m unit

6. EXAMPLE OF PRINTING CABLE TYPE NAME

SC-BKCCBL□M-H ×××××××

※ □ is a figure from 1 to 30.

※ ××××××× are the serial number for seven digits.

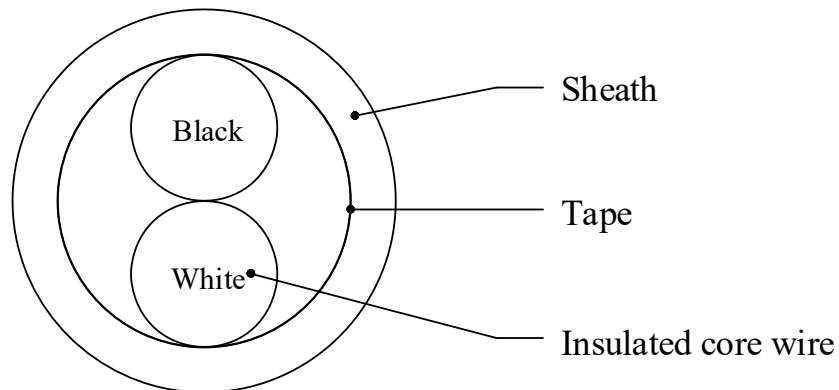
7. STRUCTURE AND CHARACTERISTICS

Item		Unit	Specification
Structure		—	AWG16×2C
Conductor	Conductor size	—	AWG16
	Outer diameter	mm	Approx. 1.75
Insulation	Material	—	ETFE
	Outer diameter	mm	Approx. 2.55
Stranding	Number of insulation core wire	—	2C
Sheath	Material	—	Flame resisting PVC
	Color	—	Black
Overall diameter		mm	Approx. 7.2
Electrical characteristics	Insulation resistance	MΩ · km	Over 100
	Withstand voltage	V for 1 minute	AC500
Operating temperature range		°C	-10~+60 (without condensation)
Minimum bend radius		mm	6 times the overall diameter
Bending life		—	Over 1 million times ^{*1} (Bend radius: Minimum bend radius)
Flame retardant		—	UL1581 VW-1
Connector	Power supply side		—
	Servo motor side	Type	DDK Ltd. D/MS3106A-10SL-4S (D190) (Straight plug) Daiwa Dengyo Co., Ltd. YSO10-5~8 (Cable clamp)
		IP rating	IP67 ^{*2}

*1 It is a test outcome, and not a guaranteed value. (The performance is different according to customer's environment.)

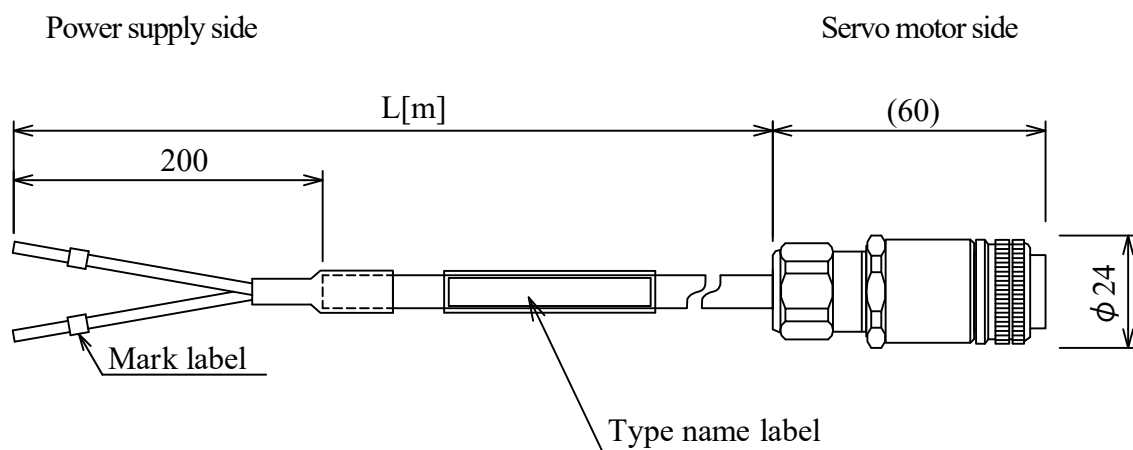
*2 The IP rating indicated is for the connector's protection against ingress of dust and water when coupled to a servo amplifier/servo motor. If the IP rating of the servo amplifier/servo motor differs from that of these connectors, overall IP rating depends on the lowest of all.

8. STRUCTURAL DRAWING



9. OUTLINE DRAWING

[Unit : mm]



Refer to the following table for mark label and insulation color.

Mark label	Insulation color
B1	White
B2	Black