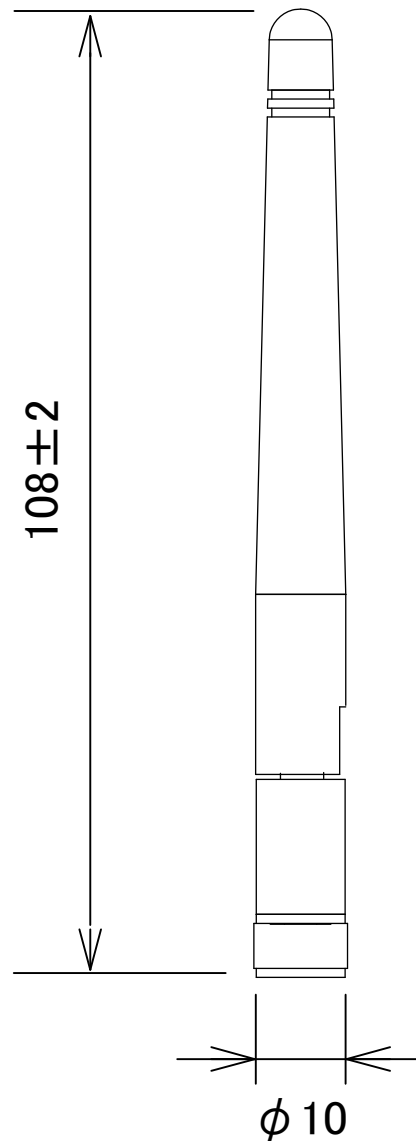
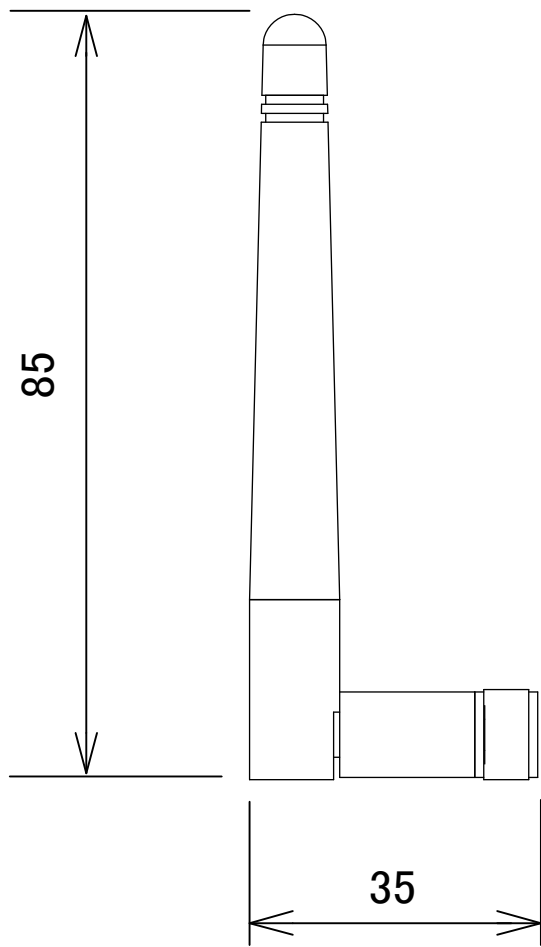


SWL31-ANP



[mm]