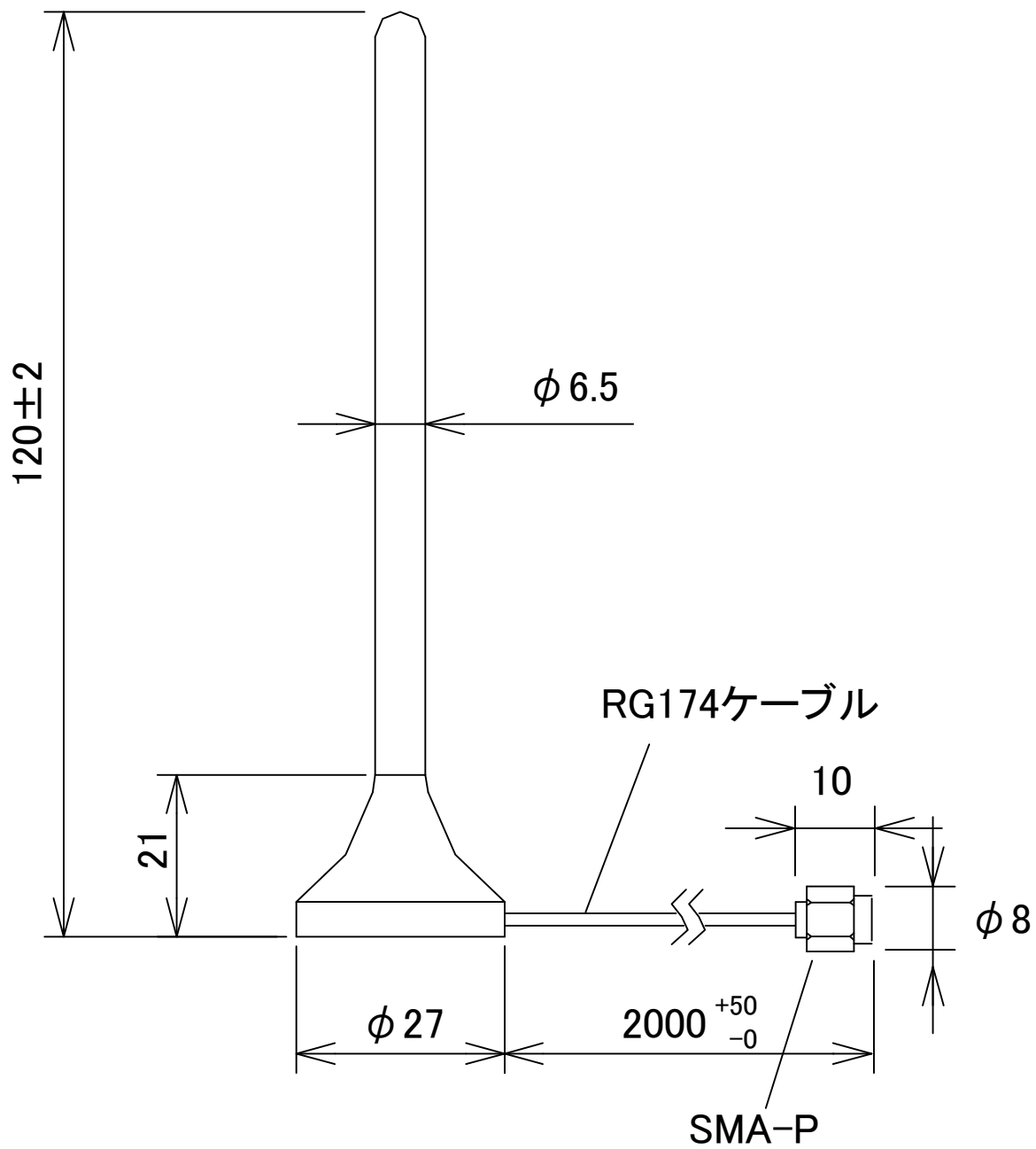


# SWL31-ANT



[mm]